

# Wilkhahn

Velas. 850 range.





## Velas.

Casual excellence.  
Inviting minimalism.  
Innovative comfort.

It's particularly those casual, almost private meetups that are so important for people to network or swap ideas and opinions. The Velas lounge range is an excellent choice for informal surroundings that still require a professional touch. The range's design reflects the lightweight steel tube furniture of classical modernism and translates the principle of a supporting metal frame structure with covered seat and backrests in its own way. The fluid transition of front legs, side sections and rear horizontal brace creates an especially relaxed, but professional look. The seemingly suspended seat frame with its distinctive edge to the backrest also lends the chair a subtle, soft touch.

In addition to the quality of its design, Velas also sets itself apart with its innovative covers. The Formstrick (form-fit) knitting technology in the lined cover, with different levels of elasticity, is everything you could wish for in terms of comfort.









# Velas. 850 range. Technical details.

# Wilkhahn



## Function

Lightweight, svelte chair with footstool and side table for furnishing lounges, lobbies, receptions, informal meeting spaces and homes.

## Frame

Die-cast aluminium side sections, stretcher and front legs made of tubular steel, bright chrome-plated or coated in black or white. Tensioning bracket to connect the side sections made of bent flat steel like the frame, coated in black or white, or coated with a silver, satin finish when the frame is bright chrome-plated. With glides at the front as the standard version for carpeted floors; for hard or soft floors optionally with additional glides at the back and an additional felt insert on request.

## Seat and backrest

Unitary seat and backrest frame made of flat oval tubular steel, covered with a double-ply 3D Formstrick sleeve made of high-strength polyester fabric in red, green, dark blue, dark brown, dark grey or black. Sleeve lined with cut foam.

## Footstool

Covered in dark brown and black butt leather with plywood core material. Die-cast aluminium frame, stool legs made of solid steel, obtainable either bright chrome-plated, or coated in black or white. Standard glides for carpets, or optionally with additional felt inserts.

## Side table

Veneer surface in natural ash, natural oak (table top group 2, variant 1) or walnut (table top group 2, variant 2), multiplex core material. Frame: steel flange, coated in black or white, solid steel table legs, obtainable bright chrome-plated, or coated in black or white. Standard glides for carpets, or optionally with additional felt inserts.

## Standards

Velas chairs: DIN EN 1022.

# Velas. 850 range. Product types.

# Wilkhahn



850/1  
Lounge chair

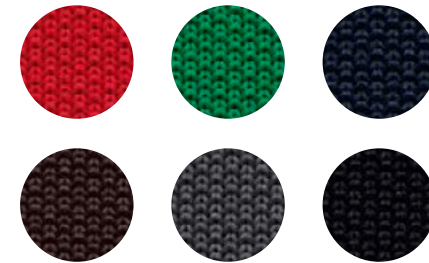


851/3  
Stool (seat is covered in black or dark-brown butt leather)



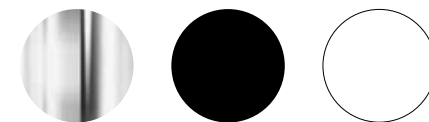
851/3  
Low table

## Double-ply 3D Formstrick upholstery material



Red, green, dark blue, dark brown, dark grey or black

## Frame surfaces



Bright chrome-plated tubular steel, coated in black or white

## Table top groups



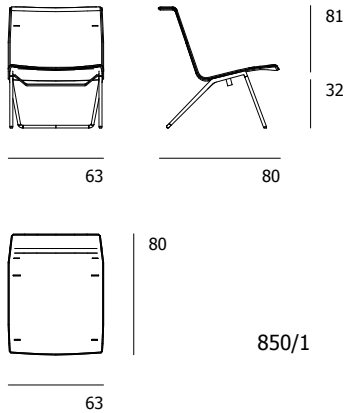
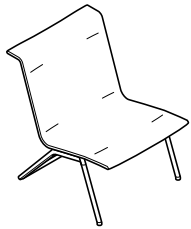
oak and natural ash or walnut veneer

The digital sample colours differ from the originals.

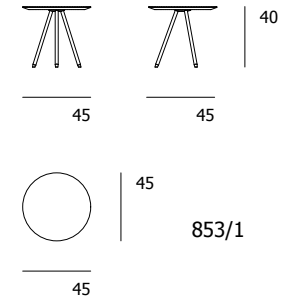
# Velas. 850 range. Models and dimensions.

# Wilkhahn

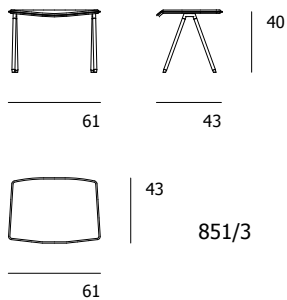
**850/1**  
Lounge chair



**853/1**  
Low table round



**851/3**  
Stool



# Velas. 850 range. Awards / standards / certificates.

# Wilkhahn

## Awards



reddot design award  
winner 2009



NOMINEE

## Product certificates / product standards

DIN EN 1022

Not all certificates / standards apply to all types.

## Company's certificates, memberships



WE SUPPORT



Mitglied der  
**DGNB**  
Deutscher Gesellschaft für Nachhaltiges Bauen  
German Sustainable Building Council



The mark of  
responsible forestry